

SANMAC

Malleable Iron Pipe Fittings



Options:

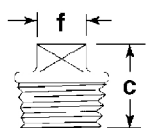


Galvanised



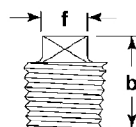
Black

Solid Shoulder Plug



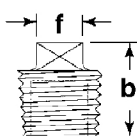
FITTING SIZE	DIMENSIONS (mm)		WEIGHT (kg) per 100 pieces
	c	f	
3/4	36	14	12.50
1	41	19	22.10
1 1/4	47	23	38.42
1 1/2	49	23	49.70
2	56	28	90.17

Solid Plain Plug



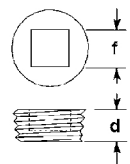
FITTING SIZE	DIMENSIONS (mm)		WEIGHT (kg) per 100 pieces
	b	f	
3/8	20	11	2.80
1/2	23	12	4.17
3/4	26	14	7.10
1	28	17	12.92
1 1/4	33	24	22.80
1 1/2	35	29	31.40
2	41	32	56.00

Plain Plug Hollow



FITTING SIZE	DIMENSIONS (mm)		WEIGHT (kg) per 100 pieces
	b	f	
1/2	23	12	3.60
3/4	26	14	5.10
1	29	18	8.27
1 1/4	34	25	14.22
1 1/2	36	30	21.31
2	41	34	32.58
2 1/2	43	36	47.60
3	50	38	73.50
4	59	46	122.90

Countersunk Plug



FITTING SIZE	DIMENSIONS (mm)		WEIGHT (kg) per 100 pieces
	d	f	
1/2	16	9	2.59
3/4	16	14	4.50
1	22	19	8.33
1 1/4	22	20	15.40
1 1/2	21	20	21.40
2	27	26	43.88

Options:

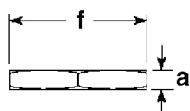


Galvanised



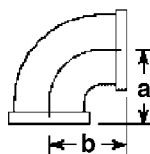
Black

Backnut



FITTING SIZE (inch)	DIMENSIONS (mm)		WEIGHT (kg) per 100 pieces
	a	f	
3/8	8	26	1.90
1/2	8	31	2.36
3/4	9	38	4.19
1	10	45	6.64
1 1/4	11	55	10.05
1 1/2	12	63	13.60
2	13	76	23.40
2 1/2	13	98	29.30
3	21	109	60.71

90° Equal Elbow



FITTING SIZE (inch)	DIMENSIONS (mm)		WEIGHT (kg) per 100 pieces
	a	b	
Equal			
1/8	19	19	3.28
1/4	21	21	5.10
3/8	25	25	8.40
1/2	28	28	8.40
3/4	33	33	13.50
1	38	38	22.40
1 1/4	45	45	34.88
1 1/2	50	50	44.10
2	58	58	71.26
2 1/2	69	69	138.40
3	78	78	190.60
4	96	96	353.20
5	115	115	552.80
6	131	131	764.00
Reducing			
1/2 x 1/4	25	25	8.00
1/2 x 3/8	26	26	9.10
3/4 x 1/2	30	31	13.20
1 x 1/2	32	34	18.64
1 x 3/4	35	36	22.00
1 1/4 x 1/2	36	41	26.80
1 1/4 x 3/4	36	41	24.70
1 1/4 x 1	42	46	32.00
1 1/2 x 3/4	39	44	32.00
1 1/2 x 1	42	46	39.68
2 x 1	44	51	48.70
2 x 1 1/2	52	55	69.90

Options:

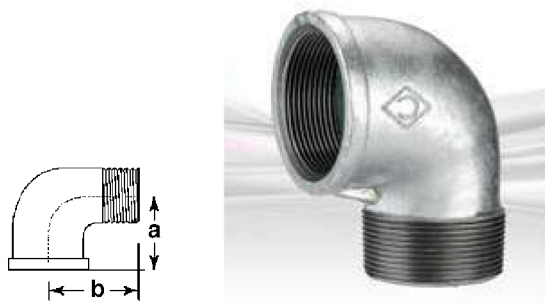


Galvanised



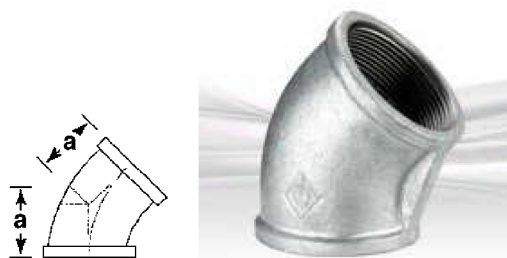
Black

Male Female 90° Elbow



FITTING SIZE	DIMENSIONS (mm)		WEIGHT (kg) per 100 pieces
	a	b	
Equal			
1/8	19	25	2.60
1/4	21	28	4.03
3/8	25	32	6.10
1/2	28	37	8.99
3/4	33	43	13.37
1	38	52	23.00
1 1/4	45	60	35.10
1 1/2	50	68	48.42
2	58	74	78.08
2 1/2	69	88	115.60
3	78	98	164.70
4	96	118	293.00
Reducing			
3/4 x 1/2	30	40	10.50
1 x 3/4	35	46	21.40

45° Elbow



FITTING SIZE	DIMENSIONS (mm)		WEIGHT (kg) per 100 pieces
	a	a	
1/2	22		8.10
3/4	25		11.50
1	28		17.70
1 1/4	33		29.90
1 1/2	36		40.22
2	43		65.31
2 1/2	50		94.50
3	55		158.00
4	66		249.60
6	88		591.50

45° Male Female Elbow



FITTING SIZE	DIMENSIONS (mm)		WEIGHT (kg) per 100 pieces
	a	f	
1/2	22	28	7.31
3/4	29	29	12.08
1	35	35	16.60
1 1/4	42	42	28.00
1 1/2	48	48	38.00
2	55	55	62.00
2 1/2	61	61	106.80
3	68	68	139.00
4	87	87	287.60

Options:

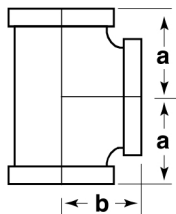


Galvanised



Black

Tee



FITTING SIZE (inch) BS EN 10242		DIMENSIONS (mm)		WEIGHT (kg) per 100 pieces
Method (b)	Method (a)	a	b	
Equal				
1/8	-	19	19	3.95
1/4	-	21	21	6.20
3/8	-	25	25	8.89
1/2	-	28	28	11.63
3/4	-	33	33	18.86
1	-	38	38	29.34
1 1/4	-	45	45	45.00
1 1/2	-	50	50	69.07
2	-	58	58	93.95
2 1/2	-	69	69	189.90
3	-	78	78	271.90
4	-	96	96	469.30

FITTING SIZE (inch) BS EN 10242		DIMENSIONS (mm)		WEIGHT (kg) per 100 pieces
Method (b)	Method (a)	a	b	
1 1/4 x 1/2	-	34	38	30.14
1 1/4 x 3/4	-	36	41	43.20
1 1/4 x 1	-	40	42	42.16
1 1/2 x 1/2	-	36	42	45.40
1 1/2 x 3/4	-	38	44	42.60
1 1/2 x 1	-	42	46	50.72
1 1/2 x 1 1/4	-	46	48	61.50
2 x 1/2	-	38	48	56.06
2 x 3/4	-	40	50	70.40
2 x 1	-	44	52	68.27
2 x 1 1/4	-	48	54	73.70
2 x 1 1/2	-	52	55	93.50
2 1/2 x 1/2	-	41	57	103.80
2 1/2 x 3/4	-	44	59	109.90
2 1/2 x 1	-	47	60	120.80
2 1/2 x 1 1/4	-	52	62	130.80
2 1/2 x 1 1/2	-	55	63	139.80
2 1/2 x 2	-	61	66	154.60
3 x 1	-	-	-	143.10
3 x 1 1/4	-	55	70	169.70
3 x 1 1/2	-	58	71	177.60
3 x 2	-	64	73	190.70
3 x 2 1/2	-	72	76	228.60
4 x 1	-	56	81	199.90
4 x 1 1/4	-	61	83	273.90
4 x 1 1/2	-	64	84	279.20
4 x 2	-	70	86	242.80
4 x 2 1/2	-	77	89	365.70
4 x 3	-	84	92	302.50
6 x 4	-	105	125	745.20

FITTING SIZE (inch) BS EN 10242		DIMENSIONS (mm)		WEIGHT (kg) per 100 pieces
Method (b)	Method (a)	a	b	
Reducing on branch				
3/8 x 1/4	-	23	23	10.00
1/2 x 1/4	-	24	24	12.00
1/2 x 3/8	-	26	26	12.40
3/4 x 1/4	-	26	27	12.20
3/4 x 3/8	-	28	28	17.70
3/4 x 1/2	-	30	31	20.30
1 x 1/4	-	28	31	18.89
1 x 3/8	-	32	35	23.70
1 x 1/2	-	32	34	21.70
1 x 3/4	-	35	36	31.54

Options:

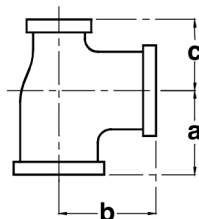


Galvanised



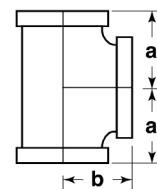
Black

Tee



FITTING SIZE (inch) BS EN 10242		DIMENSIONS (mm)			WEIGHT (kg) per 100 pieces
Method (b)	Method (a)	a	b	c	
Reducing on run					
1/2 x 1/4 x 1/2	1/2 x 1/2 x 1/4	28	28	25	9.70
3/4 x 1/2 x 3/4	3/4 x 3/4 x 1/2	33	33	31	22.00
1 x 1/2 x 1	1 x 1 x 1/2	38	38	34	31.80
1 x 3/4 x 1	1 x 1 x 3/4	38	38	36	26.71
1 1/4 x 1/2 x 1 1/4	1 1/4 x 1 1/4 x 1/2	45	45	38	44.30
1 1/4 x 3/4 x 1 1/4	1 1/4 x 1 1/4 x 3/4	45	45	41	43.77
1 1/4 x 1 x 1 1/4	1 1/4 x 1 1/4 x 1	45	45	42	46.89
1 1/2 x 1/2 x 1 1/2	1 1/2 x 1 1/2 x 1/2	50	50	44	58.00
1 1/2 x 3/4 x 1 1/2	1 1/2 x 1 1/2 x 3/4	50	50	44	49.50
1 1/2 x 1 x 1 1/2	1 1/2 x 1 1/2 x 1	50	50	46	55.69
2 x 1/2 x 2	2 x 2 x 1/2	58	58	52	81.99
2 x 3/4 x 2	2 x 2 x 3/4	58	58	52	88.60
2 x 1 x 2	2 x 2 x 1	58	58	52	92.80
2 x 1 1/2 x 2	2 x 2 x 1 1/2				102.60
2 1/2 x 1 1/2 x 2 1/2	2 1/2 x 2 1/2 x 1 1/2	69	69	64	125.70
3 x 2 x 3	3 x 3 x 2	78	78	73	191.20
Reducing on run & branch					
3/4 x 1/2 x 1/2 ✓	3/4 x 1/2 x 1/2	30	31	28	19.80
1 x 3/4 x 1/2 ✓	1 x 1/2 x 3/4	32	34	30	20.20
1 x 3/4 x 3/4 ✓	1 x 3/4 x 3/4	35	36	33	30.20

FITTING SIZE (inch) BS EN 10242		DIMENSIONS (mm)			WEIGHT (kg) per 100 pieces
Method (b)	Method (a)	a	b	c	
1 1/4 x 1 x 1 1/2	1 1/4 x 1/2 x 1	36	41	35	36.20
1 1/4 x 1 x 3/4	1 1/4 x 3/4 x 1	36	41	35	31.80
1 1/4 x 1 x 1	1 1/4 x 1 x 1	40	42	38	44.60
1 1/2 x 1 x 1	1 1/2 x 1 x 1	42	46	38	42.11
1 1/2 x 1 1/4 x 1/2	1 1/2 x 1/2 x 1 1/4	37	43	33	45.60
1 1/2 x 1 1/4 x 1	1 1/2 x 1 x 1 1/4	42	46	40	56.90
1 1/2 x 1 1/4 x 1 1/4	1 1/2 x 1 1/4 x 1 1/4	46	48	45	64.00
2 x 1 1/2 x 1/2	2 x 1/2 x 1 1/2	44	51	41	51.40
2 x 1 1/2 x 3/4	2 x 3/4 x 1 1/2	44	51	41	70.40
2 x 1 1/2 x 1	2 x 1 x 1 1/2	44	51	41	64.60
2 x 1 1/2 x 1 1/4	2 x 1 1/4 x 1 1/2	48	54	46	67.40
2 x 1 1/2 x 1 1/2	2 x 1 1/2 x 1 1/2	52	55	50	85.50



FITTING SIZE (inch) BS EN 10242		DIMENSIONS (mm)		WEIGHT (kg) per 100 pieces
Method (b)	Method (a)	a	b	
Increasing on branch				
1/2 x 3/4	-	31	30	18.24
3/4 x 1	-	36	35	26.10
1 x 1 1/4	-	42	40	43.60
1 x 1 1/2	-	46	42	42.75
1 1/4 x 2	-	54	48	75.10
1 1/2 x 2	-	55	52	89.80
2 x 2 1/2	-	66	61	120.50

Options:

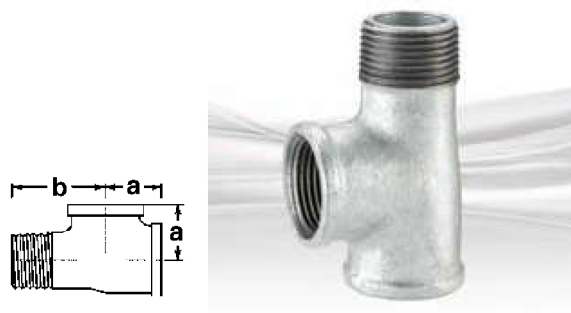


Galvanised



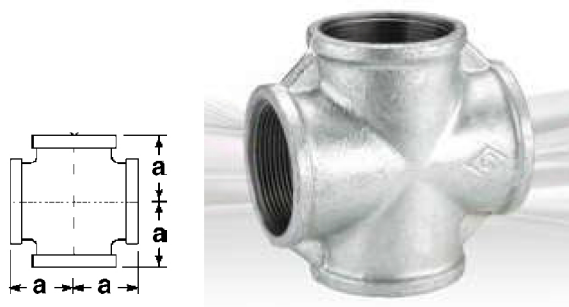
Black

Male Female Tee



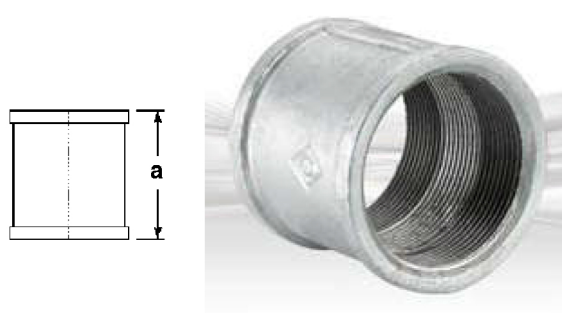
FITTING SIZE (inch)	DIMENSIONS (mm)		WEIGHT (kg) per 100 pieces
	a	b	
1/2	29	41	12.30
3/4	33	48	19.60
1	38	54	29.70

Cross



FITTING SIZE (inch)	DIMENSIONS (mm) a	WEIGHT (kg) per 100 pieces
3/8	25	9.75
1/2	28	15.10
3/4	33	22.20
1	38	36.04
1 1/4	45	73.60
1 1/2	50	81.00
2	58	119.10
2 1/2	69	160.90
3	78	232.50

Socket



FITTING SIZE (inch)	DIMENSIONS (mm) a	WEIGHT (kg) per 100 pieces
1/8	24	2.11
1/4	27	3.57
3/8	30	4.53
1/2	34	7.89
3/4	39	12.03
1	42	18.32
1 1/4	49	28.45
1 1/2	54	30.50
2	64	48.20
2 1/2	73	73.00
3	81	98.50
4	94	178.60

Options:

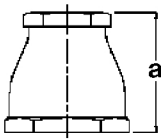


Galvanised



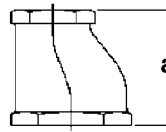
Black

Reducing Socket



FITTING SIZE (inch)	DIMENSIONS (mm)		WEIGHT (kg) per 100 pieces
	a		
1/2 x 1/4	32	7.60	
1/2 x 3/8	32	8.40	
3/4 x 1/4	37	12.70	
3/4 x 3/8	37	7.62	
3/4 x 1/2	37	14.35	
1 x 1/2	45	14.75	
1 x 3/4	43	19.80	
1 1/4 x 1/2	52	24.91	
1 1/4 x 3/4	52	26.97	
1 1/4 x 1	50	20.60	
1 1/2 x 1/2	59	33.85	
1 1/2 x 3/4	59	33.60	
1 1/2 x 1	59	37.76	
1 1/2 x 1 1/4	55	27.30	
2 x 1/2	71	48.40	
2 x 3/4	71	48.90	
2 x 1	71	54.10	
2 x 1 1/4	65	43.10	
2 x 1 1/2	71	57.81	
2 1/2 x 1	83	77.50	
2 1/2 x 1 1/4	83	78.60	
2 1/2 x 1 1/2	83	83.58	
2 1/2 x 2	83	88.68	
3 x 2	94	110.10	
3 x 2 1/2	94	108.60	
4 x 2	111	194.40	
4 x 2 1/2	111	196.30	
4 x 3	111	202.70	

Eccentric Socket



FITTING SIZE (inch)	DIMENSIONS (mm)		WEIGHT (kg) per 100 pieces
	a		
3/4 x 1/2	37	12.92	
1 x 1/2	43	17.33	
1 x 3/4	43	18.92	
1 1/4 x 1/2	52	19.34	
1 1/4 x 3/4	52	25.39	
1 1/4 x 1	52	25.28	
1 1/2 x 1/2	59	34.60	
1 1/2 x 3/4	59	28.82	
1 1/2 x 1	59	37.08	
1 1/2 x 1 1/4	59	46.67	
2 x 1/2	71	57.01	
2 x 3/4	71	57.85	
2 x 1	71	56.42	
2 x 1 1/4	71	54.91	
2 x 1 1/2	71	53.30	
2 1/2 x 1 1/2	83	96.66	
2 1/2 x 2	83	139.90	
3 x 2	94	115.70	
3 x 2 1/2	94	197.00	

Options:

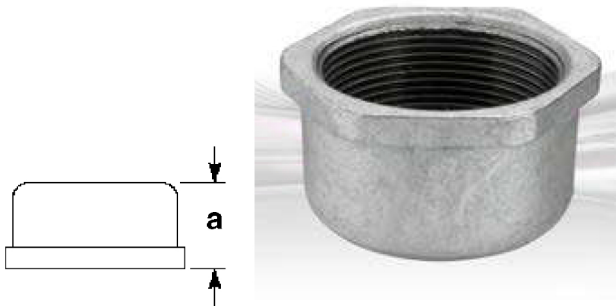


Galvanised



Black

Cap



FITTING SIZE (inch)	DIMENSIONS (mm) a	WEIGHT (kg) per 100 pieces
1/2	26	7.50
3/4	27	7.39
1	32	15.10
1 1/4	32	20.20
1 1/2	33	26.00
2	38	43.29
2 1/2	41	66.18
3	44	92.20
4	52	177.46

Options:

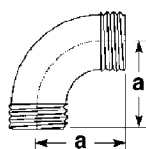


Galvanised



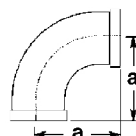
Black

Male Swept Bend



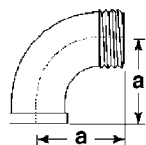
FITTING SIZE	DIMENSIONS (mm) a	WEIGHT (kg) per 100 pieces
1/2	45	10.21
3/4	50	13.20
1	63	23.13
1 1/4	76	41.50
1 1/2	85	57.68

Swept Bend



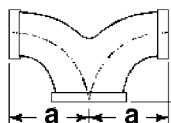
FITTING SIZE	DIMENSIONS (mm) a	WEIGHT (kg) per 100 pieces
1/2	45	13.42
3/4	50	19.15
1	63	31.82
1 1/4	76	61.70
1 1/2	85	79.26
2	102	126.57
2 1/2	114	166.70
3	127	252.50
4	165	485.30

Male Female Swept Bend



FITTING SIZE	DIMENSIONS (mm) a	WEIGHT (kg) per 100 pieces
1/2	45	10.10
3/4	50	16.00
1	63	26.70
1 1/4	76	50.50
1 1/2	85	69.61
2	102	108.60
2 1/2	114	158.80
3	127	239.60
4	165	467.50

Twin Elbow



FITTING SIZE	DIMENSIONS (mm) a	WEIGHT (kg) per 100 pieces
1/2	45	19.00
3/4	50	29.40
1	63	48.30
1 1/4	76	87.34
1 1/2	85	117.29
2	102	172.50

Options:

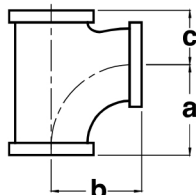


Galvanised



Black

Pitcher Tee



FITTING SIZE (inch) BS EN 10242		DIMENSIONS (mm)			WEIGHT (kg)
Method (b)	Method (a)	a	b	c	per 100 pieces
Equal					
1/2		45	45	24	20.24
3/4		50	50	28	26.00
1		63	63	33	40.80
1 1/4		76	76	40	73.55
1 1/2		85	85	43	101.17
2		102	102	53	145.70
2 1/2		114	114	61	255.00
3		127	127	70	352.10
4		165	165	87	591.00
Reducing on branch					
3/4 x 1/2		47	48	25	22.53
1 x 1/2		49	51	28	32.77
1 x 3/4		53	56	30	34.26
1 1/4 x 1/2		51	56	30	43.69
1 1/4 x 3/4		55	58	33	48.80
1 1/4 x 1		66	68	36	60.70
1 1/2 x 1/2		52	58	29	51.50
1 1/2 x 3/4		55	61	33	56.50
1 1/2 x 1		66	71	36	72.34
1 1/2 x 1 1/4		77	79	41	90.01
2 x 1/2		54	64	32	75.93
2 x 3/4		58	67	35	82.75
2 x 1		70	77	40	96.30
2 x 1 1/4		80	85	45	111.70
2 x 1 1/2		91	94	48	138.28

FITTING SIZE (inch) BS EN 10242		DIMENSIONS (mm)			WEIGHT (kg)
Method (b)	Method (a)	a	b	c	per 100 pieces
2 1/2 x 1		72	85	40	129.20
2 1/2 x 1 1/4		83	93	45	145.10
2 1/2 x 1 1/2		94	103	48	175.30
2 1/2 x 2		104	109	54	221.80
3 x 1 1/2		96	109	50	231.80
3 x 2		106	116	56	261.20
4 x 2 1/2		121	133	69	454.70
Reducing on run & branch					
3/4 x 1/2 x 1/2	3/4 x 1/2 x 1/2	47	48	24	20.20
1 x 3/4 x 1/2	1 x 1/2 x 3/4	49	51	25	26.00
1 x 3/4 x 3/4	1 x 3/4 x 3/4	53	54	28	30.10
Reducing on run					
3/4 x 1/2 x 3/4	3/4 x 3/4 x 1/2	50	50	27	24.30

Options:

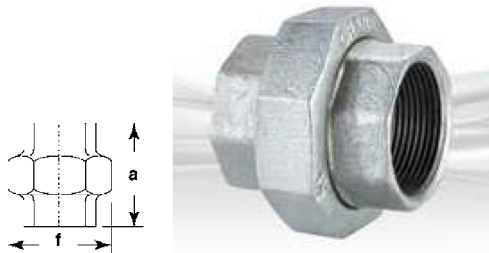


Galvanised



Black

Union Iron Seat



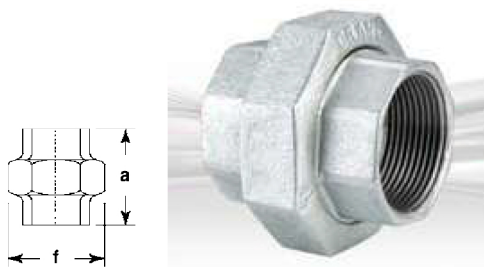
FITTING SIZE	DIMENSIONS (mm)		WEIGHT (kg) per 100 pieces
	a	f	
1/4	42	32	11.14
3/8	45	36	13.75
1/2	49	42	20.70
3/4	53	49	30.08
1	58	57	40.75
1 1/4	64	68	60.67
1 1/2	68	76	78.49
2	75	92	119.89
2 1/2	84	111	187.05
3	92	125	248.33
4	107	155	426.52

Male Female Union



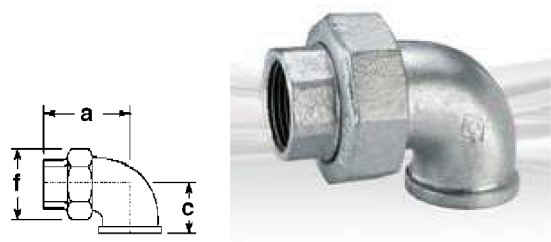
FITTING SIZE	DIMENSIONS (mm)			WEIGHT (kg) per 100 pieces
	b	a	f	
1/4	57	32	†	11.95
3/8	61	36	†	16.07
1/2	68	56	42	25.85
3/4	74	74	49	36.77
1	82	57	57	50.63
1 1/4	91	68	†	74.26
1 1/2	95	76	†	99.95
2	104	92	†	147.70
2 1/2	116	111	†	232.78
3	131	125	†	324.66

Union Brass Seat



FITTING SIZE	DIMENSIONS (mm)		WEIGHT (kg) per 100 pieces
	a	f	
1/8	42	32	12.26
1/4	42	32	11.03
3/8	45	36	14.54
1/2	49	42	20.69
3/4	53	49	30.33
1	58	57	40.79
1 1/4	64	68	59.64
1 1/2	68	76	77.87
2	75	92	120.10
2 1/2	84	111	187.15
3	92	125	247.81
4	107	155	432.60

Union Elbow



FITTING SIZE	DIMENSIONS (mm)			WEIGHT (kg) per 100 pieces
	a	c	f	
1/2	56	28	42	25.72
3/4	64	33	49	37.31
1	72	38	57	54.38